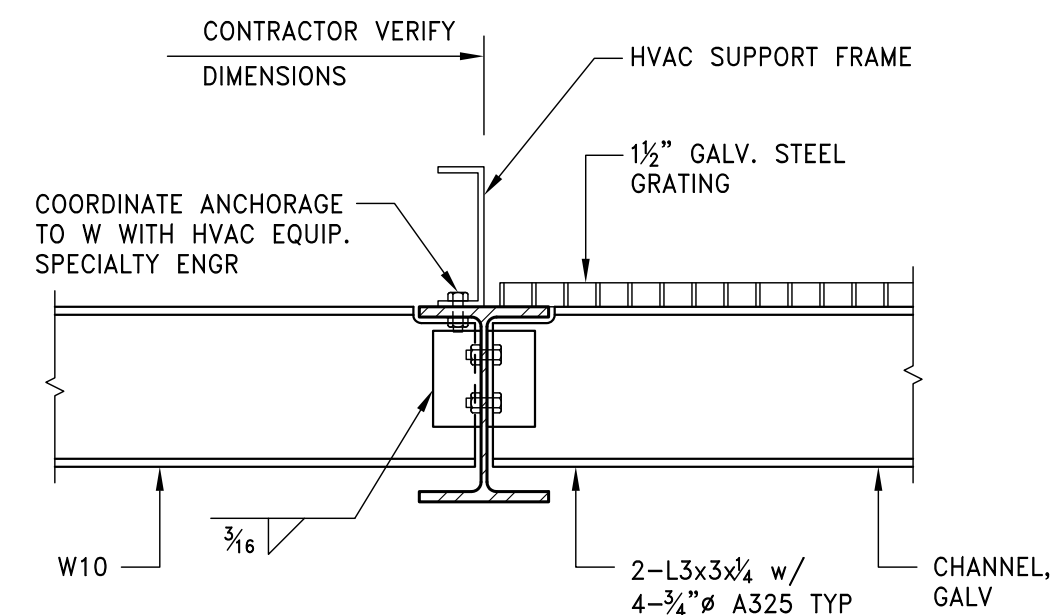
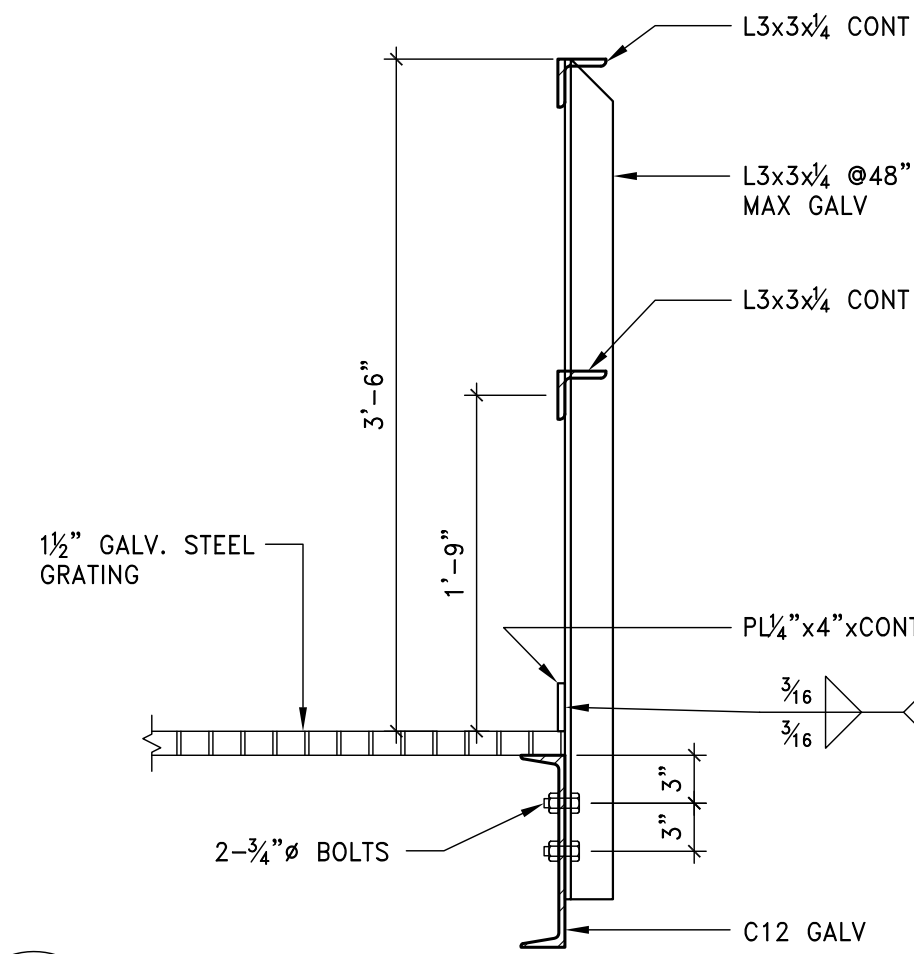


NOTE: LOCATE JOISTS BEFORE CUTTING SLAB. ALIGN OPENING BETWEEN JOISTS AS SHOWN

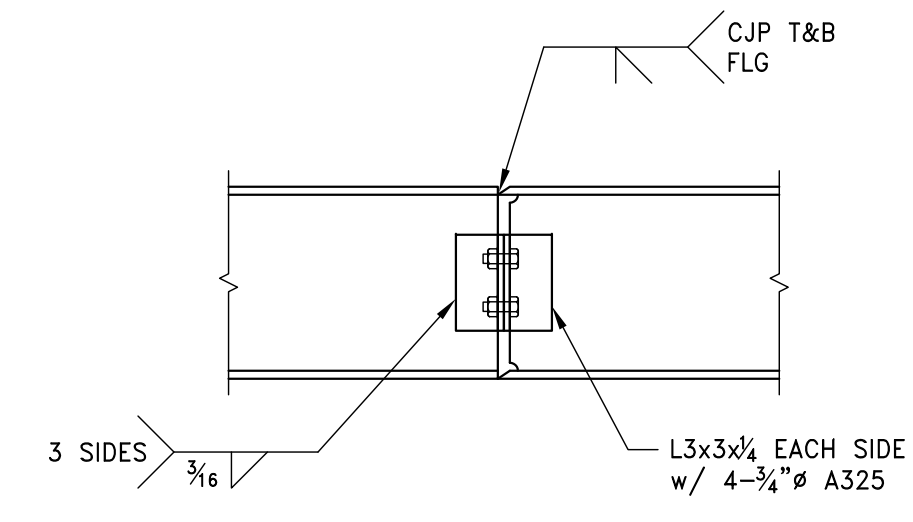
1 SECT. NEW OPENING IN EXIST. ROOF  
SCALE: 3/4"=1'-0"



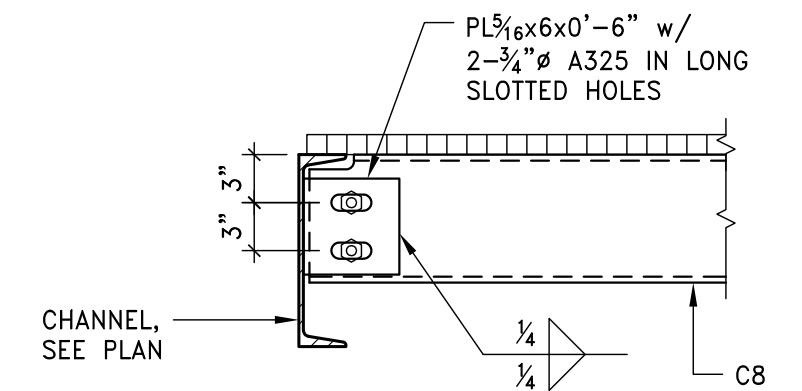
2 SECTION AT PLATFORM



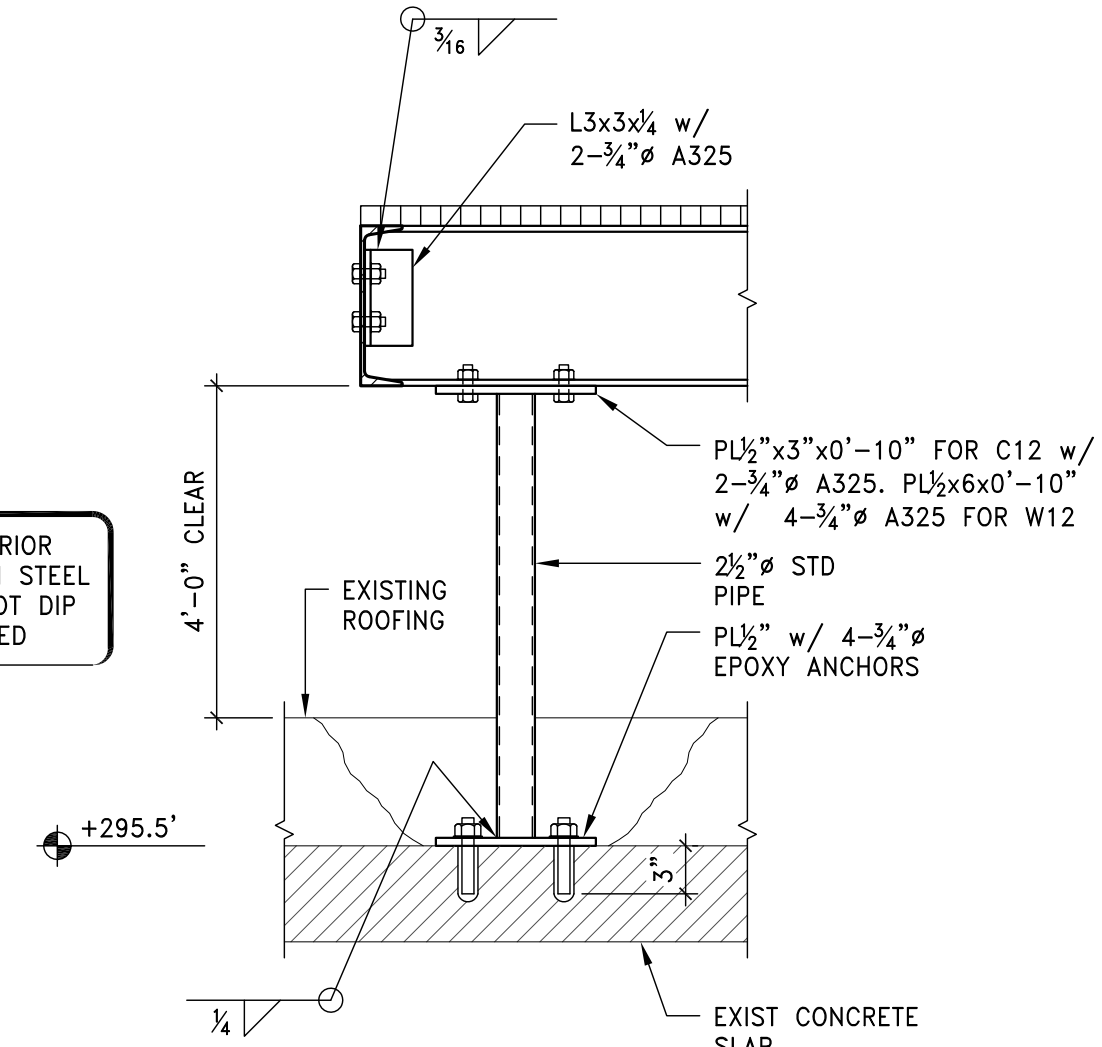
3 SECTION AT PLATFORM



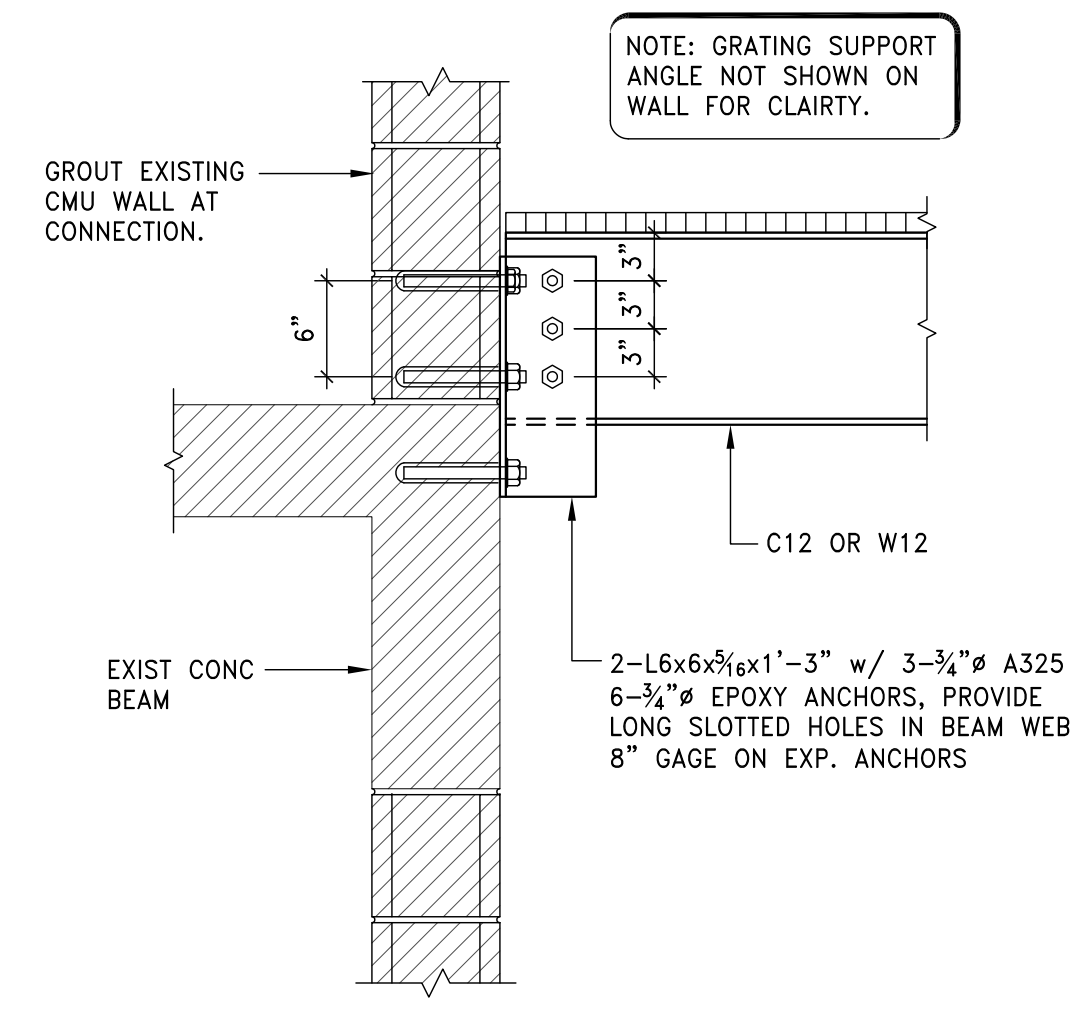
4 FIELD SPICE OF BEAMS



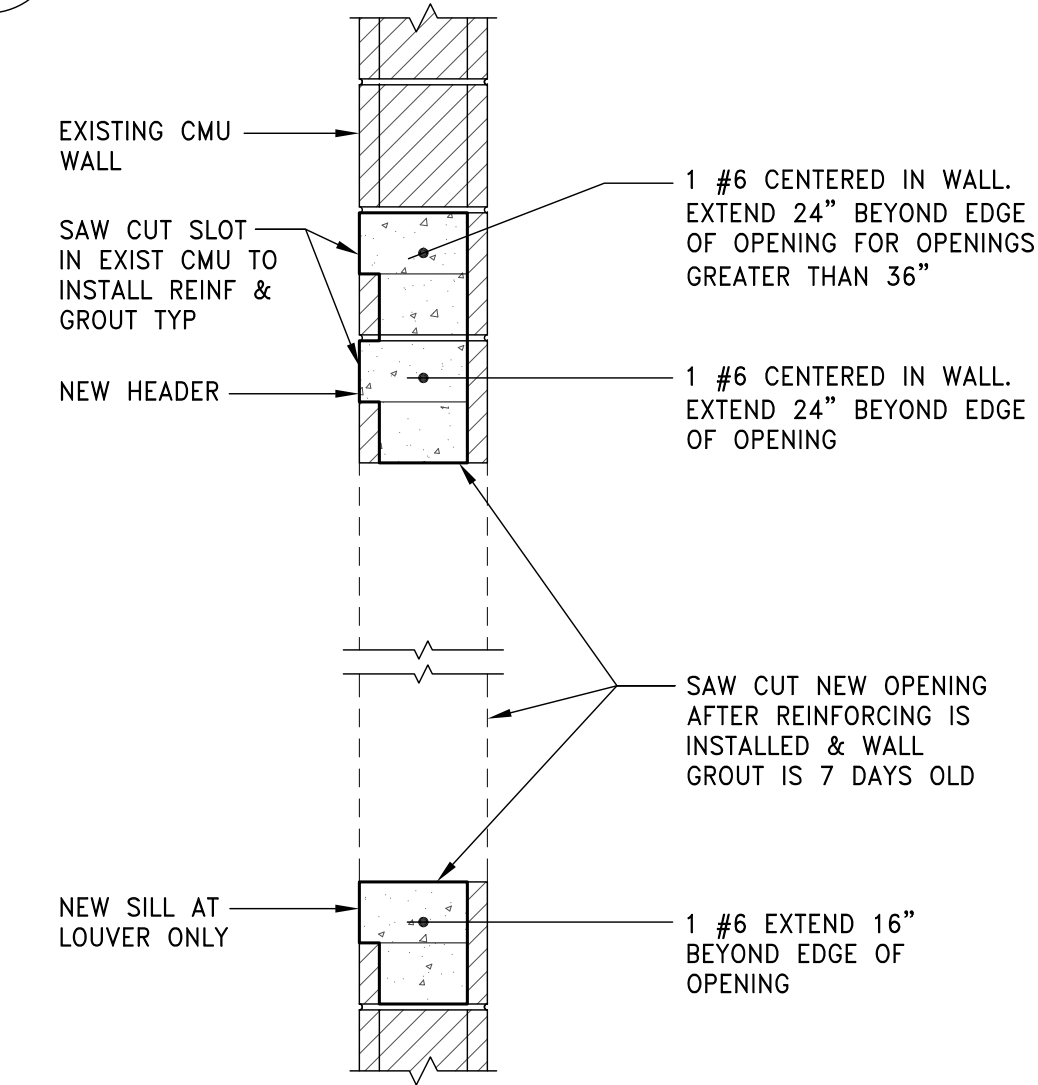
5 SECTION BEAM CONNECTION  
TYPICAL



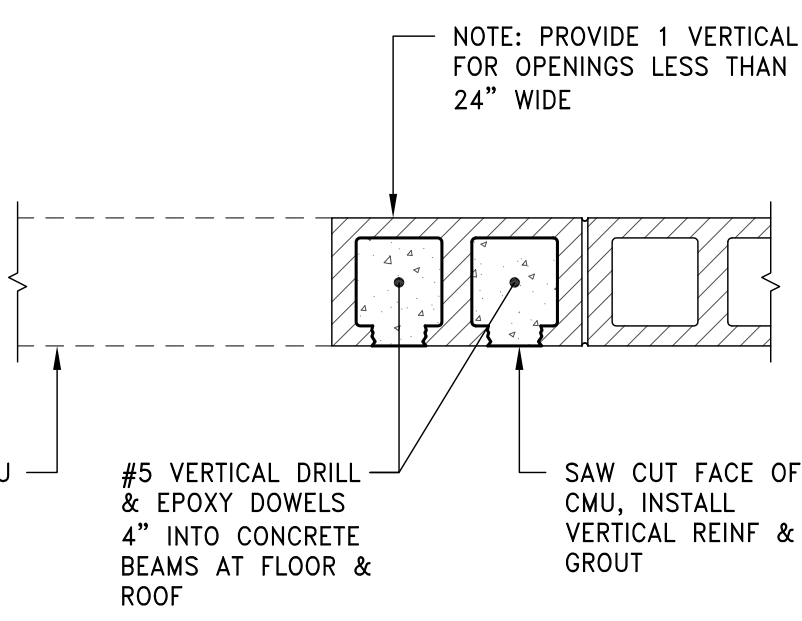
6



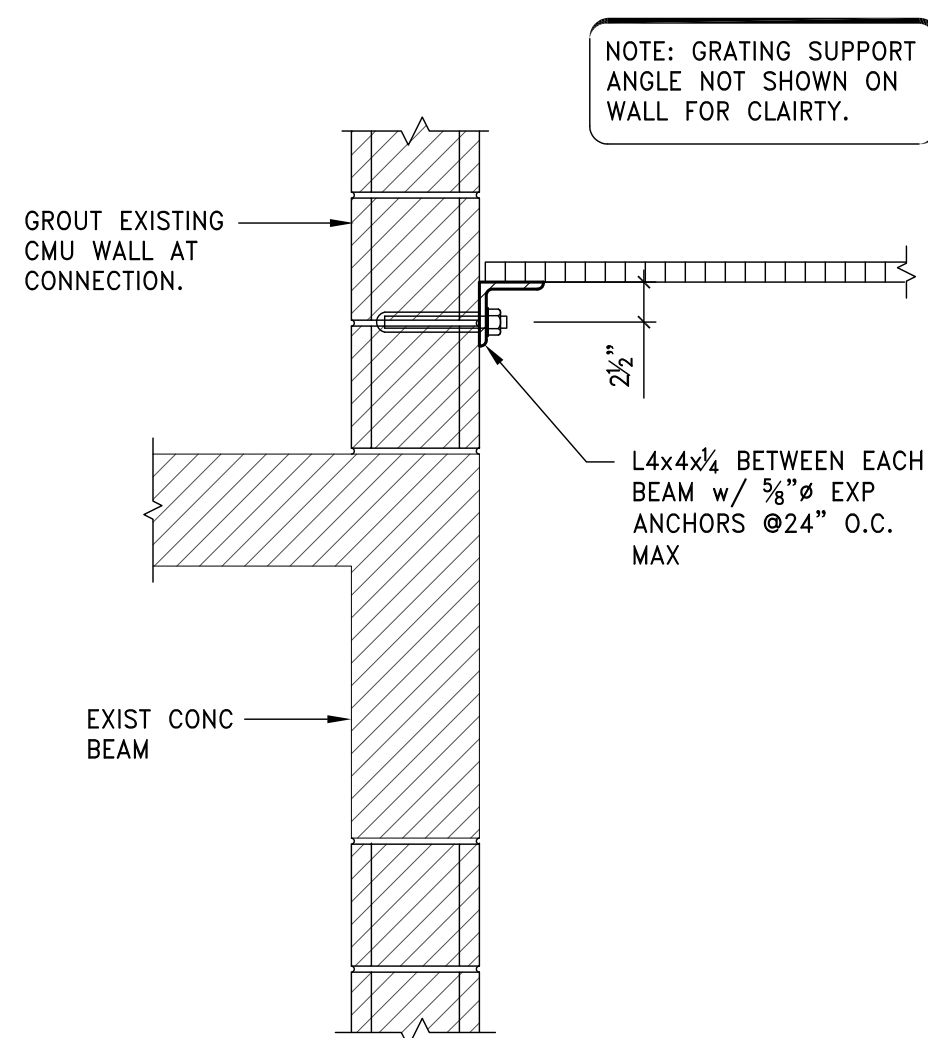
7



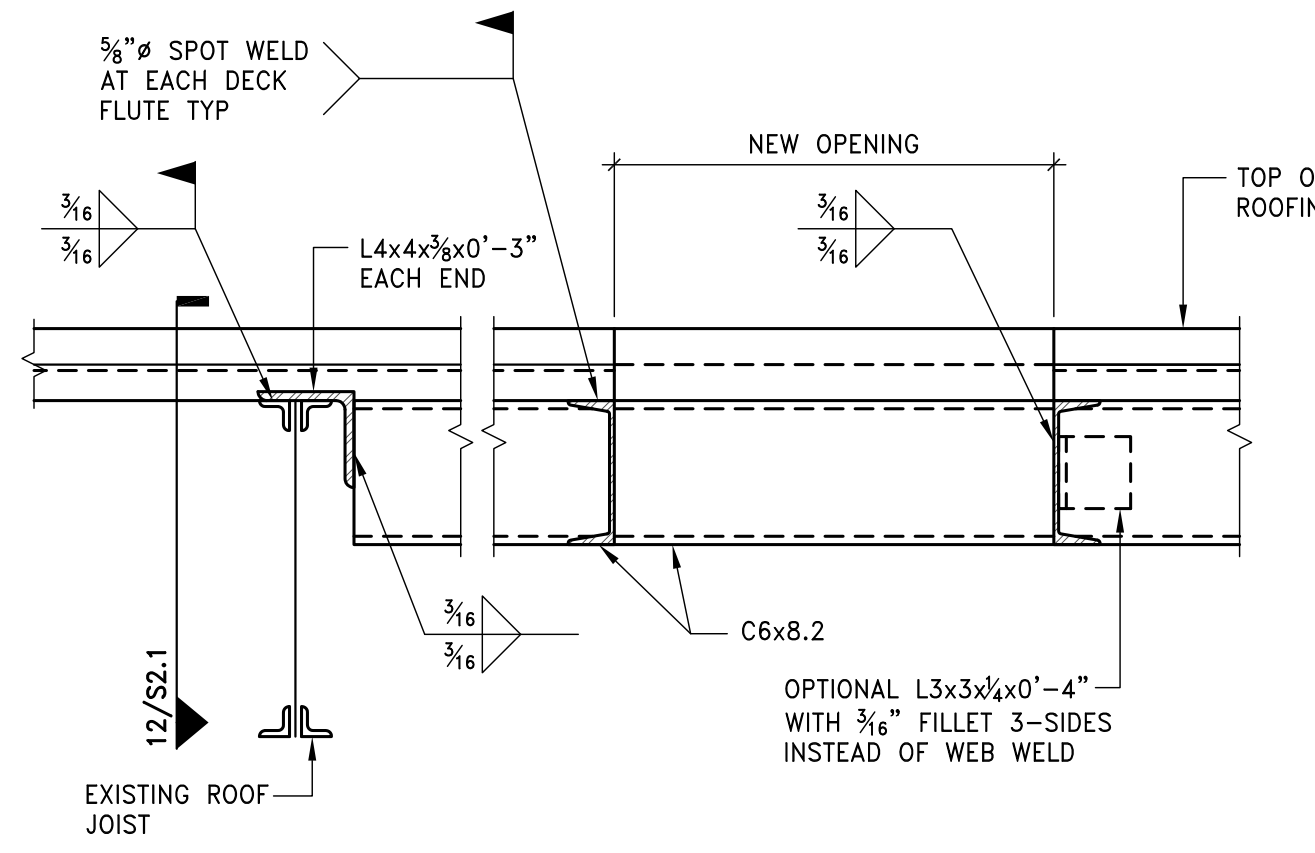
8 SECTION AT NEW OPENINGS



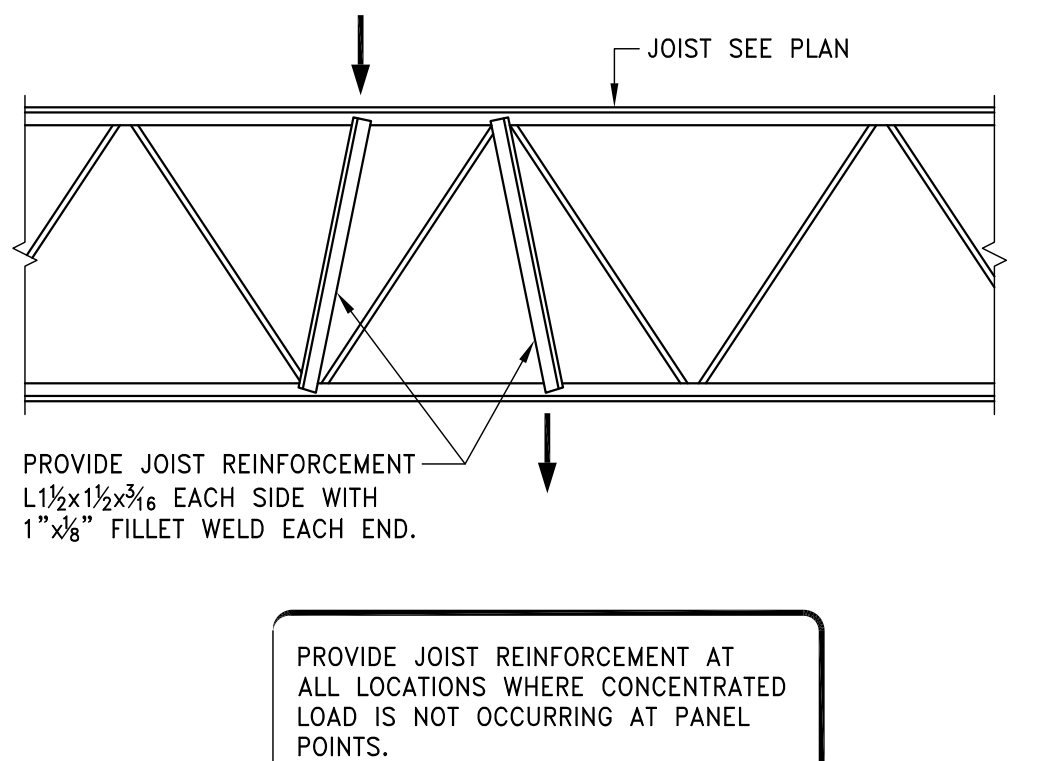
9 PLAN DETAIL AT SIDES OF NEW OPENINGS



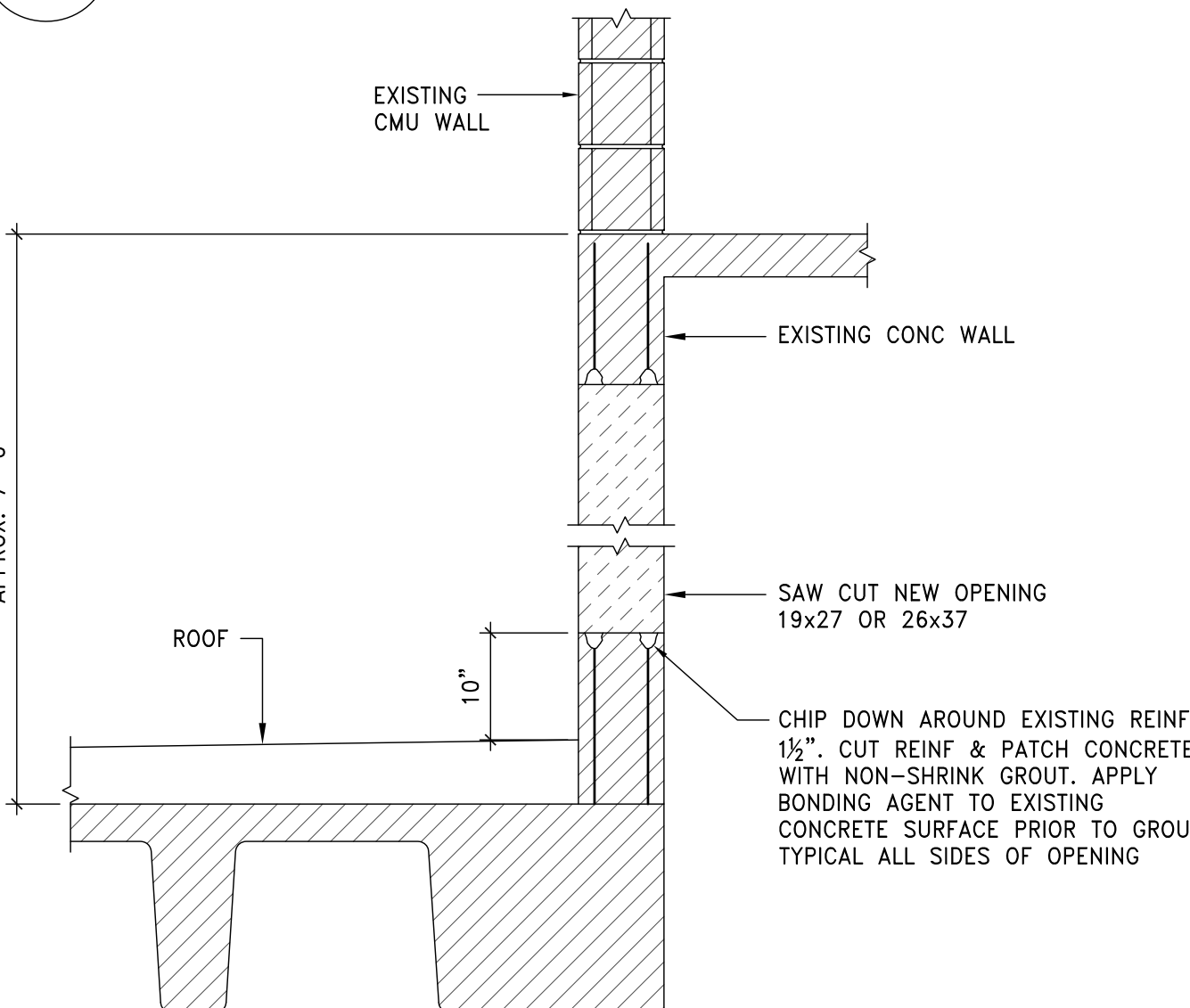
10



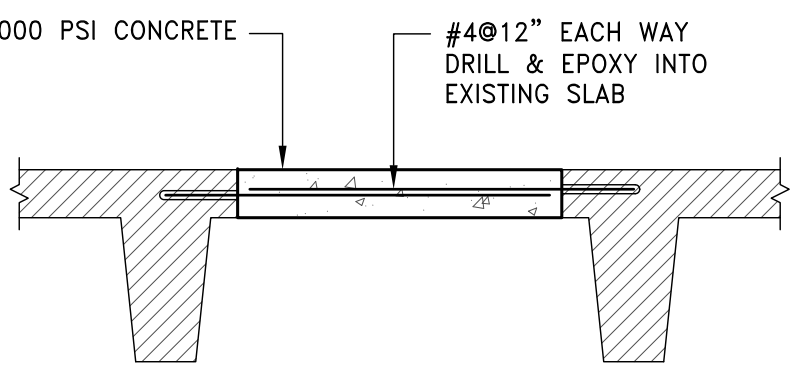
11 ROOF OPENING DETAIL



12 JOIST REINFORCEMENT DETAIL



13 SECTION AT NEW WALL OPENING  
SCALE: 3/4"=1'-0"



14 SECTION INFILL OF EXISTING OPENING  
SCALE: 3/4"=1'-0"

**BNI**  
BLISS & NYITRAY, INC.  
STRUCTURAL ENGINEERS  
Certificate of Authorization No. 227 N. Bronough St., Suite 7300 Tallahassee, Florida 32301  
Tel. (850) 222-4454 Fax (850) 222-9425  
www.bniengineers.com  
Christopher S. Childers, P.E., Reg. No. 50812  
BNI Project No. 11T13

TO THE BEST OF MY KNOWLEDGE, THE PLANS AND SPECIFICATIONS COMPLY WITH THE APPLICABLE MINIMUM BUILDING CODES.

**BARNETT FRONCZAK BARLOWE ARCHITECTS**

Leon County - Bank of America Bldg. Stair Pressurization

12062 Drawn By: TLC  
Project Code Checked By: CSC  
27 April 2011  
Date

Construction Documents

SCALE: 1/2"=1'-0" U.O.N.

Revisions


DETAILS

Tallahassee Florida  
**S2.1**  
225 South Adams St, Tallahassee, FL 32301  
Phone 850 224-6301 Fax 850 561-6978